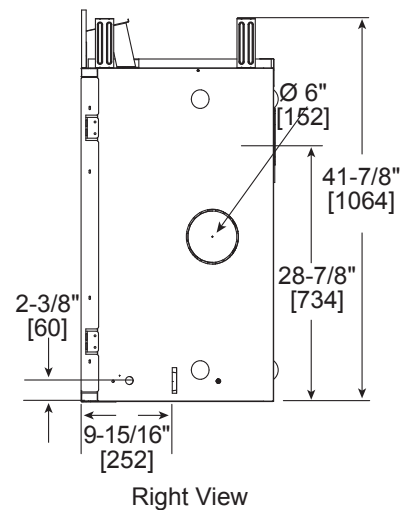
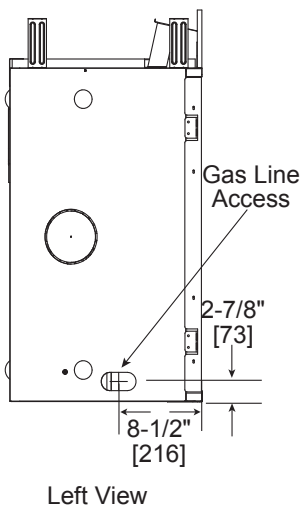
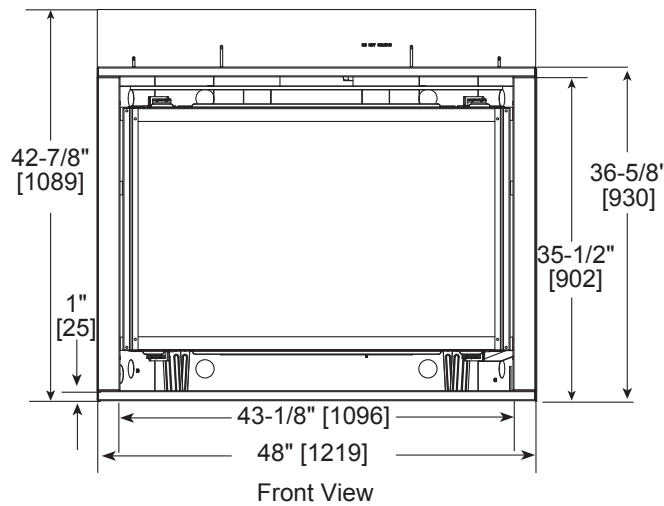
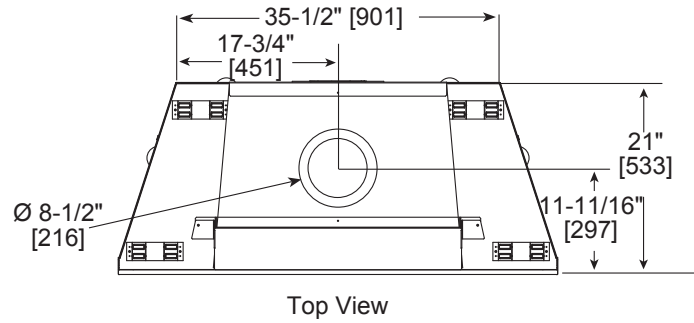




Please consult the manufacturer's installation manual for all details and requirements before making a final design layout decision.

# Caliber CNXT4842IFT Direct Vent Gas Fireplace

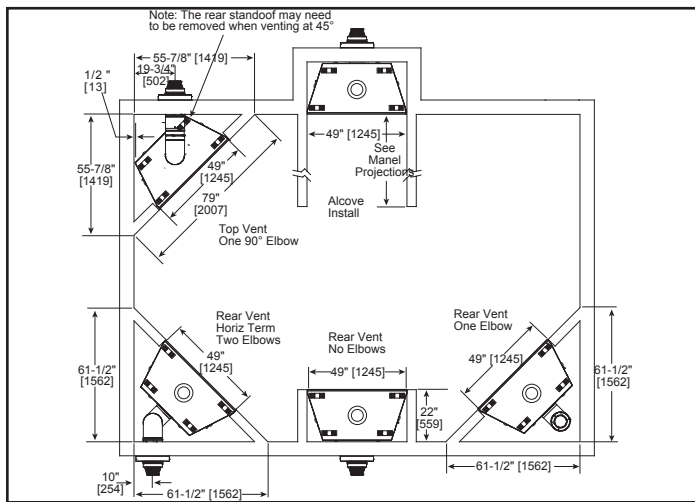
| MODEL       | FRONT WIDTH |         | BACK WIDTH |         | HEIGHT |         | DEPTH  |         | GLASS SIZE  |
|-------------|-------------|---------|------------|---------|--------|---------|--------|---------|-------------|
|             | Actual      | Framing | Actual     | Framing | Actual | Framing | Actual | Framing |             |
| CNXT4842IFT | 48          | 49      | 35-1/2     | 49      | 41-7/8 | 42-1/8  | 21     | 22      | 39 x 23-5/8 |



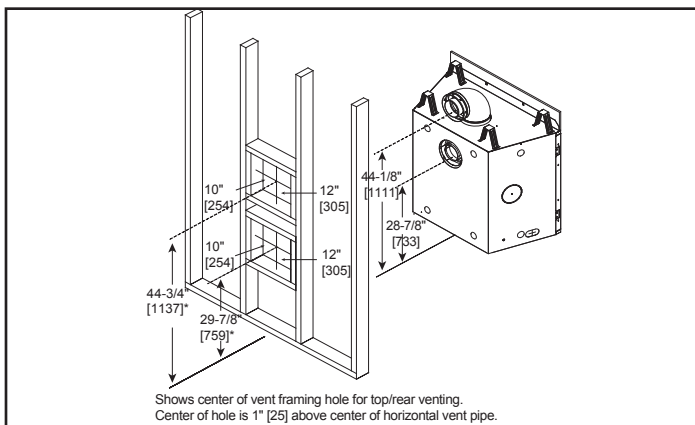
### MINIMUM FIREPLACE CLEARANCES

| AREA                              | TO COMBUSTIBLES (in inches) |
|-----------------------------------|-----------------------------|
| CLEARANCE TO CEILING              | 25                          |
| COMBUSTIBLE/NON-COMBUSTIBLE FLOOR | 0                           |
| SIDES OF APPLIANCE                | 0                           |
| FRONT OF APPLIANCE                | 36                          |

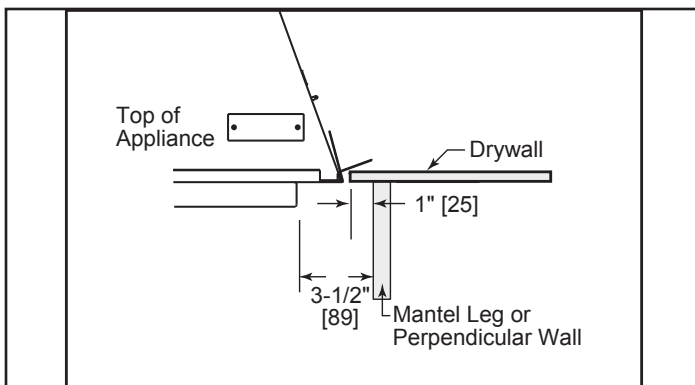
### APPLIANCE LOCATION



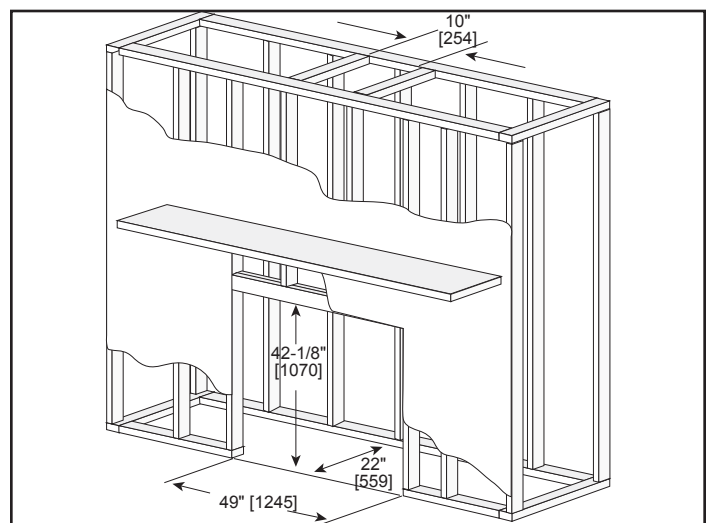
### WALL PENETRATION



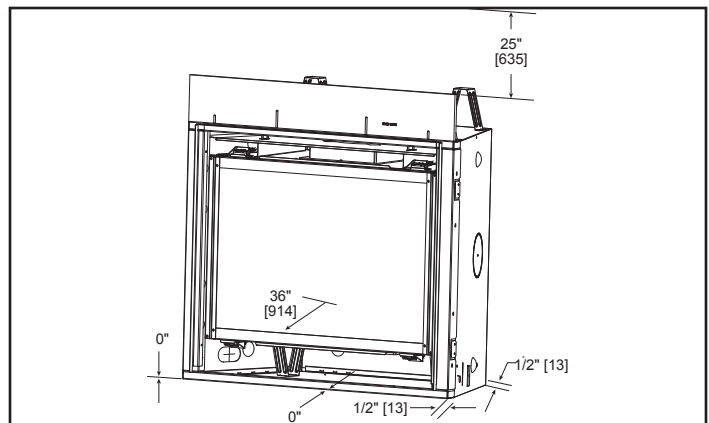
### MANTLE LEG/WALL PROJECTIONS



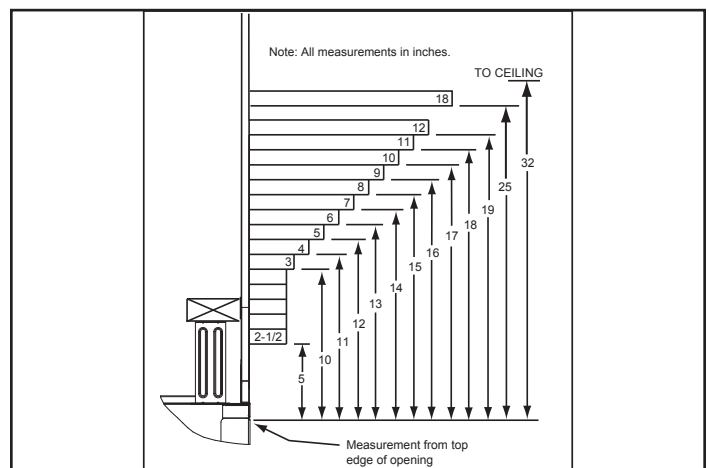
### FRAMING DIMENSIONS



### CLEARANCES TO COMBUSTIBLES



### MANTLE PROJECTIONS



| PRODUCT LISTING CODES |                  |
|-----------------------|------------------|
| US                    | ANSI Z21.88-2014 |
| CAN                   | CSA 2.33-2014    |
| US LISTED             | UL307B           |

Product information provided is not complete and is subject to change without notice. Product installation must adhere strictly to instructions accompanying product to avoid risk of fire and potential injury.

Additional information can be found online at [www.heatilator.com](http://www.heatilator.com)