



heatilator®
The first name in fireplaces



Crave Series

Direct Vent Gas Fireplaces

The image shows a modern living room. The focal point is a long, narrow fireplace with a black frame, set against a wall of light-colored, stacked stone. The fireplace is filled with blue glass and has a fire burning. To the left is a light-colored armchair with a blue patterned cushion. To the right is a dark wood coffee table with a glass top, holding some papers. The floor is covered with a blue and white patterned rug.

Crave 72

modern luxury
in 36, 48, 60
and 72 inches

The Crave provides modern luxury at an affordable price. Multiple upgrade options let you accent your style and personalize your look. It's an easy choice. Modern luxury, backed by the #1 preferred brand by builders.

Features

- Clean face trim provides beautiful flush-to-the-wall finish
- Luxurious crystal glass
- Enhanced safety with the IntelliFire Touch® ignition system
- Full featured RC400 remote control

RC400 INTELLIFIRE TOUCH
TOUCHSCREEN REMOTE CONTROL
Features: on/off, flame height adjustment, fan speed, lights adjustment, thermostat mode, room temperature readout, child lock, timer mode, battery backup, cold climate mode, power vent, wall docking station.



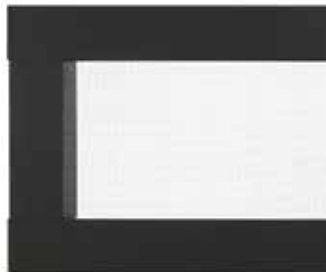
RC150 INTELLIFIRE TOUCH
WIRELESS WALL SWITCH
Features: on/off, battery backup cold climate mode, battery strength indicator.



- Industry leading end-to-end flame technology
- Define your design with four sizes—in single sided or see-through configurations—and multiple customization options
- Up to 58,000 BTUs
- Available in 36, 48, 60 and 72" models
- Optional Passive Heat enables a TV or heat sensitive materials to be placed just 12" above fireplace opening without a mantel

Options

Fronts



Four Square*



Illusion*



Clean Face



Top View

Finishes



Black



Bronze

Interiors



Crystal Glass



Ebony Glass



Cobalt Glass



Amber Glass



Red Glass



Natural Log Set
(Requires glass media)

Cover: Crave7260 shown with Clean Face front in black, lighting, amber glass media and reflective black glass liner.
Left: Crave8472 See-through shown with Clean Face front in black, cobalt glass media

* Four Square and Illusion fronts not available for Crave 72".



Crave 60



Options, continued

Lighting



With Lighting



Without Lighting

Reflective Liner



A fade-resistant black glass liner multiplies the flames and adds intensity to the fire

Technology

IntelliFire Touch Ignition System

IntelliFire Touch is the most advanced and intuitive IntelliFire system, making operating your fireplace simple, smart and safe. The RC400 touchscreen remote control comes standard. Also available is the RC150 wireless wall switch for the solution that fits your life.

Direct Vent Technology

Direct Vent fireplaces remove 100% of combustion exhaust and odors outside of the home. These sealed fireplaces provide optimal heat, conserve energy and ensure clean, safe indoor air quality. To learn more, visit heatilator.com.

Heat Management Solutions

Bring the warmth from your fireplace to the rest of your home, up to 20 feet away. Heat management solutions can redirect up to 50% of the heat to another area, and reduce wall temperatures above the fireplace. Choose between:

- **Heat-Zone® kit** to transfer heat where you want it
- **Heat-Out® kit** to redirect heat from the fireplace outside the home
- **Passive Heat kit** allows heat to naturally rise and disperse at ceiling height without the use of a fan.

Choose side, front or open wall register, enabling a TV or heat sensitive materials to be placed just 12" above fireplace opening without a mantel.



Side Register



Front Register



Open Wall Register
(opening 2" from ceiling)

Left: Crave7260 shown with Clean Face front in black, amber glass, lighting and reflective black glass liner.

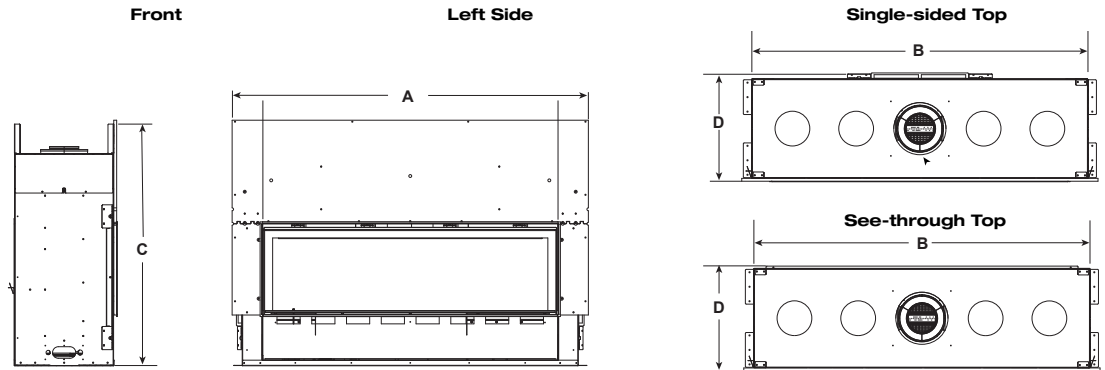


Crave 36



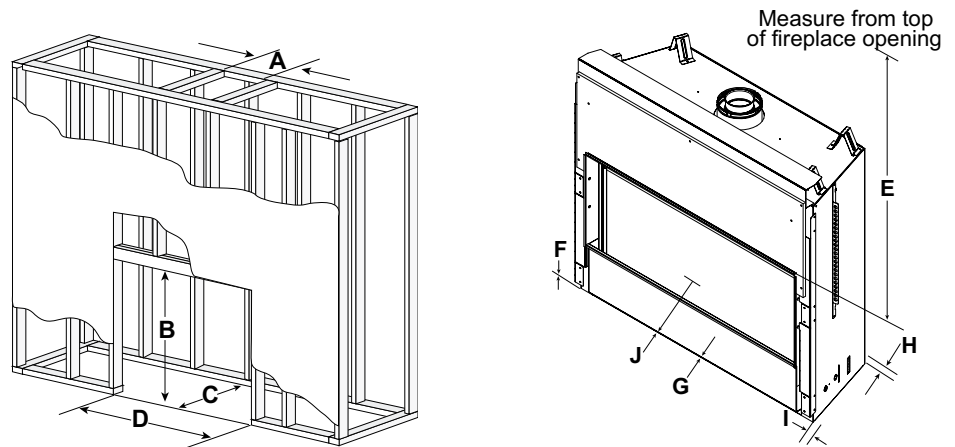
Specifications

| MODEL | FRONT WIDTH (A) | BACK WIDTH (B) | HEIGHT (C) | DEPTH (D) | GLASS SIZE | BTU/HR INPUT(NG) |
|---------------------------|--------------------|--------------------|-------------------|------------------|-----------------------------------|--|
| CRAVE4836, CRAVE4836ST | 46-3/16" [1173] | 46-3/16" [1173] | 41-3/4" [1060] | 17-1/8" [435] | 35-1/2" x 12-1/2" [902 x 318] | 17,500 - 30,000 (NG) 15,500 - 29,000 (LP) |
| CRAVE6048, CRAVE6048ST | 58" [1473] | 58" [1473] | 41-3/4" [1060] | 17-1/8" [435] | 47-1/2" x 12-1/2" [1207 x 318] | 21,000 - 40,000 (NG) 19,500 - 40,000 (LP) |
| CRAVE7260, CRAVE7260ST | 70" [1778] | 70" [1778] | 47-3/4" [1213] | 17-1/8" [435] | 59-1/2" x 12-1/2" [1511 x 318] | 26,000 - 50,000 (NG) 22,000 - 41,000 (LP) |
| CRAVE8472, CRAVE8472ST | 82" [2083] | 82" [2083] | 47-3/4" [1213] | 17-1/8" [435] | 71-1/2" x 12-1/2" [1861 x 318] | 30,000 - 58,000 (NG) 24,000 - 46,000 (LP) |



Framing Dimensions

| MODEL | A ROUGH OPENING (VENT PIPE) | B ROUGH OPENING (HEIGHT) | C ROUGH OPENING (DEPTH) | D ROUGH OPENING (WIDTH) | E CLEAR- ANCE TO CEILING | F COMBUSTIBLE FLOOR | G COMBUSTIBLE FLOORING | H BEHIND APPLIANCE | I SIDES OF APPLIANCE | J FRONT OF APPLIANCE |
|---------------------------|--------------------------------------|-----------------------------------|----------------------------------|----------------------------------|-----------------------------------|---------------------------|------------------------------|--------------------------|----------------------------|----------------------------|
| CRAVE4836, CRAVE4836ST | 10" [254] | 42" [1067] | 18-1/4" [464] ST: 17" [432] | 48-1/4" [1226] | 31" [787] | 0" [0] | 0" [0] | 1" [25] | 1" [25] | 48" [1219] |
| CRAVE6048, CRAVE6048ST | 10" [254] | 42" [1067] | 18-1/4" [464] ST: 17" [432] | 60-1/4" [1530] | 31" [787] | 0" [0] | 0" [0] | 1" [25] | 1" [25] | 48" [1219] |
| CRAVE7260, CRAVE7260ST | 10" [254] | 48" [1219] | 18-1/4" [464] ST: 17" [432] | 72-1/4" [1835] | 31" [787] | 0" [0] | 0" [0] | 1" [25] | 1" [25] | 48" [1219] |
| CRAVE8472, CRAVE8472ST | 10" [254] | 48" [1219] | 18-1/4" [464] ST: 17" [432] | 84-1/4" [2140] | 31" [787] | 0" [0] | 0" [0] | 1" [25] | 1" [25] | 48" [1219] |



The rough framing dimensions shown represent the distance from stud to stud only and do not take into consideration the addition of drywall. Please refer to installation instructions for complete specifications and drawings when installing this product. Go to heatilator.com to download.

For product-specific clearance dimensions, including minimum vertical venting requirements prior to the addition of elbows, please visit heatilator.com.

Left: Crave4836 shown with Four Square front in black and ebony glass media



Exceptional Value + Dependability

Why do contractors, architects and homebuyers trust Heatilator? Because we mix value with dependability. Established in 1927, Heatilator has built a long-standing reputation for providing quality, dependable hearth products at unbeatable values. Today, Heatilator remains the most preferred, recommended and installed fireplace brand among building professionals.



Crave6048 See-through shown with Illusion front in bronze, amber glass media and log set

Efficiency Ratings

Steady State - Since most homeowners use their fireplaces for an extended time while they are in the room, Steady State measures how efficiently your fireplace converts fuel to heat once it is warmed up and running in a "steady state."

AFUE - AFUE rating is more typically used with appliances, like your furnace, that continually cycle on and off to maintain a constant temperature.

EnerGuide (CSA P.4.1-15) - Used in Canada and some U.S. states to measure annual fireplace efficiency.

| Rating | CRAVE4836 | CRAVE4836ST | CRAVE6048 | CRAVE6048ST | CRAVE7260 | CRAVE7260ST | CRAVE8472 | CRAVE8472ST |
|---------------------------------|---------------------------|---------------------------|---------------------------|---------------------------|---------------------------|---------------------------|---------------------------|---------------------------|
| EnerGuide (CSA P.4.1-15) | 47.8% (NG), 50.8% (LP) | 45.9% (NG), 50.1% (LP) | 53.2% (NG), 56.3% (LP) | 51.3% (NG), 57% (LP) | 52.6% (NG), 52.2% (LP) | 57.4% (NG), 56.1% (LP) | 51.3% (NG), 49.9% (LP) | 55.9% (NG), 57.7% (LP) |
| AFUE | 44.1% (NG), 48.5% (LP) | 39.7% (NG), 49.3% (LP) | 46.4% (NG), 56.1% (LP) | 48.3% (NG), 57.3% (LP) | 58% (NG), 59.7% (LP) | 61.1% (NG), 63.3% (LP) | 56.6% (NG), 59% (LP) | 62.4% (NG), 65.1% (LP) |
| Steady State | 49.2% (NG), 49.2% (LP) | 49.3% (NG), 49.3% (LP) | 57.2% (NG), 57.2% (LP) | 58.3% (NG), 58.3% (LP) | 63% (NG), 64.1% (LP) | 66.3% (NG), 67.7% (LP) | 61.3% (NG), 63.1% (LP) | 67.3% (NG), 69.3% (LP) |

Available from

heatilator
The first name in fireplaces

800-927-6841 | heatilator.com

[facebook.com/Heatilator](https://www.facebook.com/Heatilator)

twitter.com/Heatilator

[youtube.com/HeatilatorFireplaces](https://www.youtube.com/HeatilatorFireplaces)

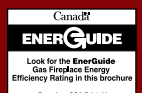
Limited Lifetime Warranty¹

The strongest in the industry, Heatilator provides a limited lifetime warranty on gas-burning products of the most important aspects: firebox and heat exchanger.

¹ For full warranty details go to heatilator.com.

The information provided in this literature is for planning purposes only and subject to change. Please consult the installation manual for actual installation. Actual product appearance may differ from product images.

Fireplace glass and other surfaces get extremely HOT and can cause severe burns if touched. Do not remove the protective safety screen from the front of the glass. Keep a safe distance away. To learn more visit www.heatilator.com/fireplacesafety.



HTL-1090U-0819