



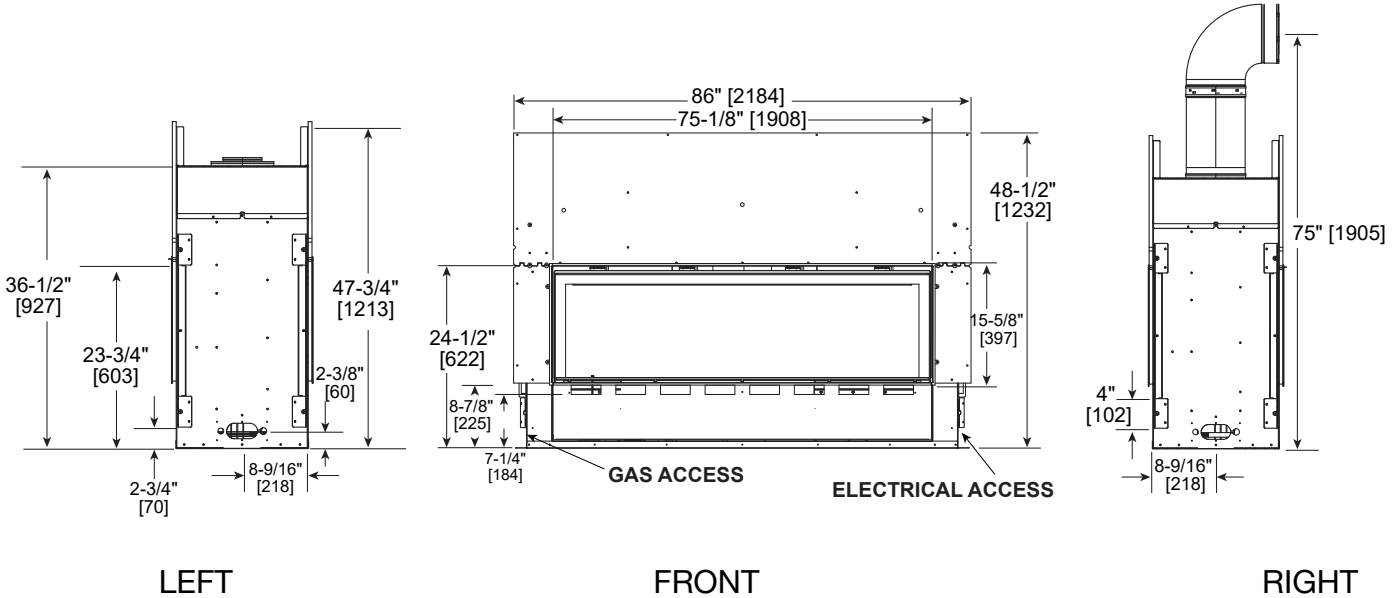
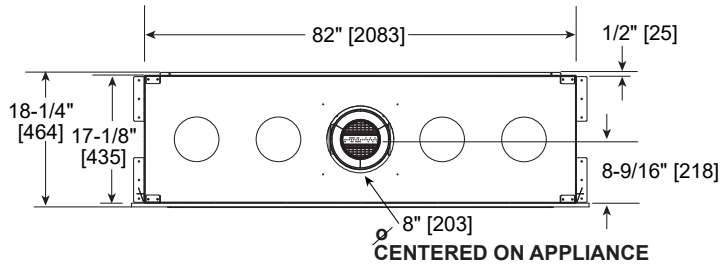
Please consult the manufacturer's installation manual for all details and requirements before making a final design layout decision.

# Crave8472ST

72" See-Through Direct Vent Gas Fireplace

MODEL	FRONT WIDTH		BACK WIDTH		HEIGHT		DEPTH		GLASS SIZE
	Actual	Framing	Actual	Framing	Actual	Framing	Actual	Framing	
CRAVE8472ST	82	84-1/4	82	84-1/4	47-3/4	48	17-1/8	17	71-1/2 x 12-1/2

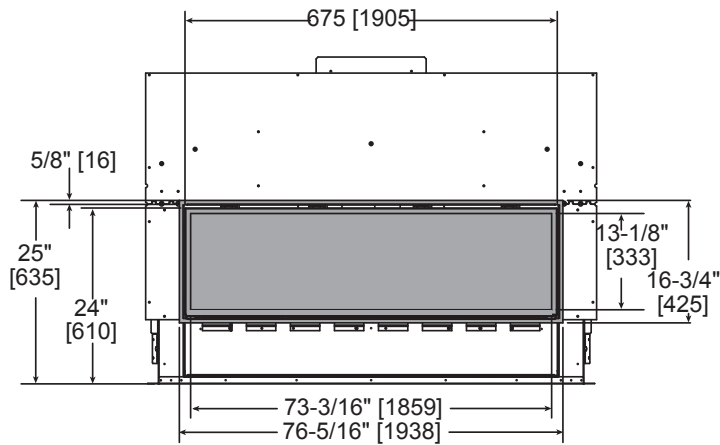
TOP



**BEFORE FRAMING, PLEASE NOTE:**

**A minimum of 30" of vertical venting is required before attaching any elbow to the appliance.**

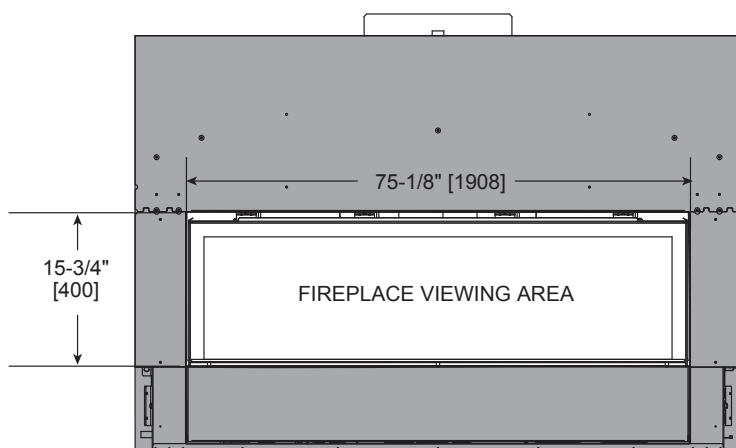
## FRONT DIMENSIONS



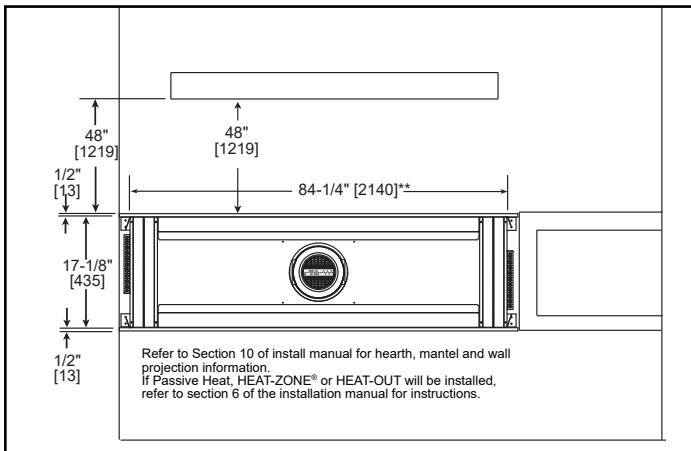
CLEAN FACE TRIM

- Rectangular holes on bottom of access panel should be covered.
- Approved for 0"-4" finishing material on inside fit method
- If finishing materials are 0-1" thick, the outer trim ring should be adjusted out so that the trim ring overlaps the finishing material. This is intended to provide the cleanest look.
- If finishing materials are 1-4" thick, install the trim ring all the way in and place finishing material over the trim ring.

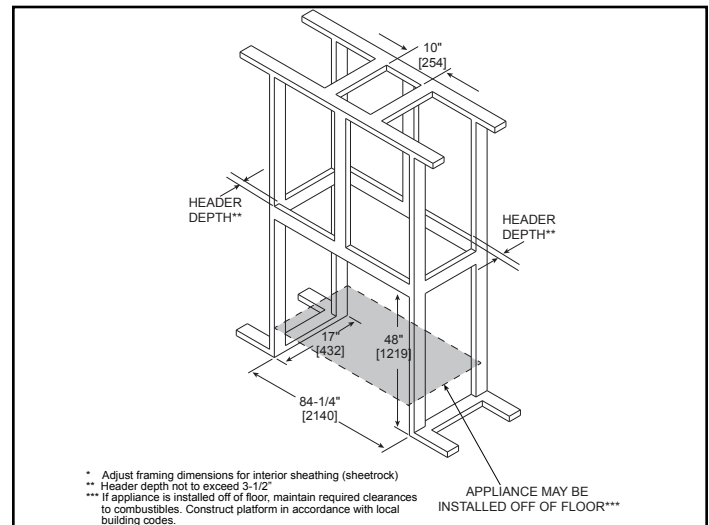
## FINISHED OPENING DIMENSIONS

INSIDE FIT METHOD  
(CLEAN FACE TRIM)

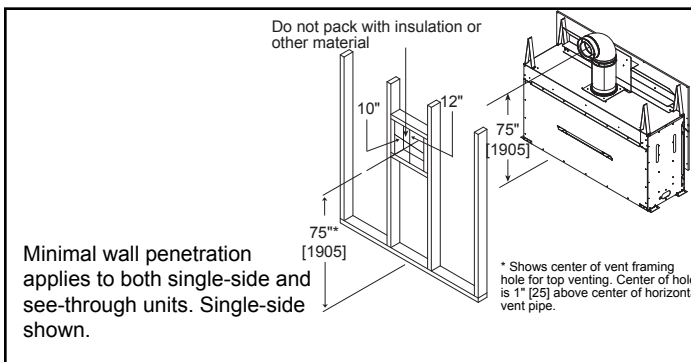
### APPLIANCE LOCATION



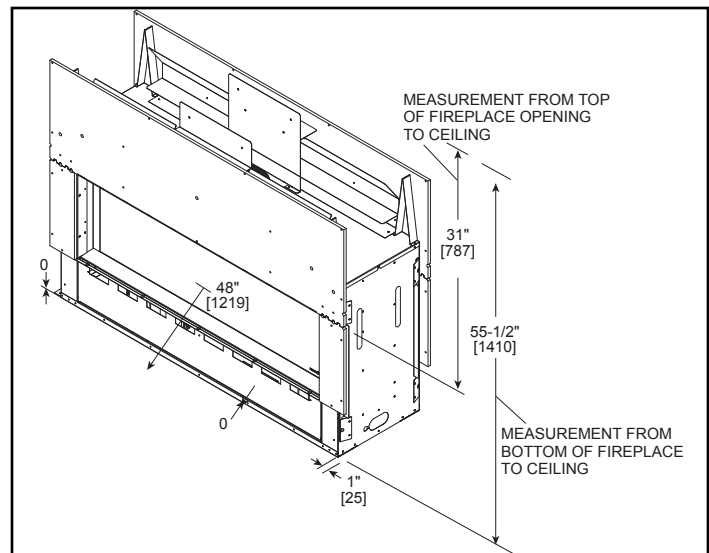
### FRAMING DIMENSIONS



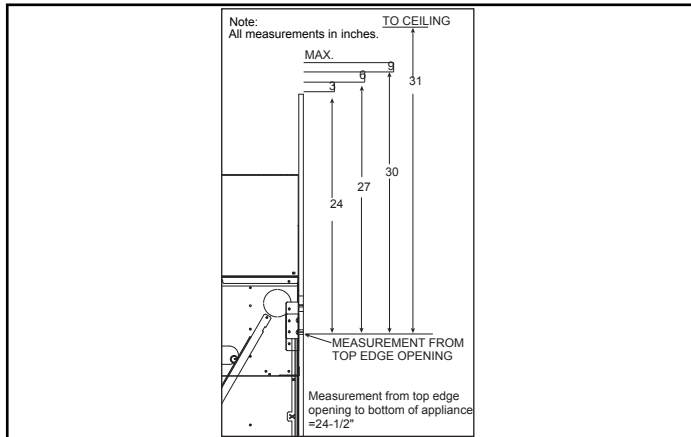
### WALL PENETRATION



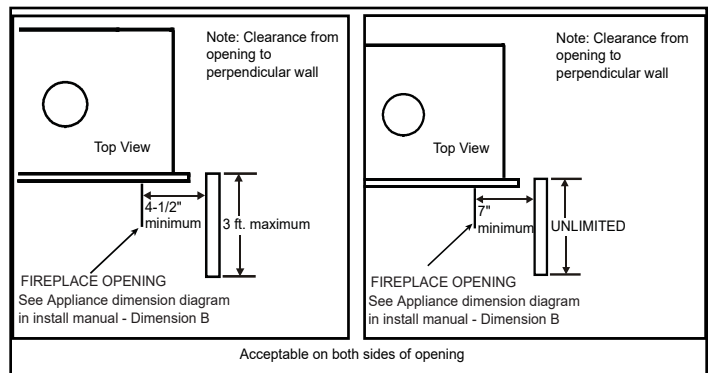
### CLEARANCES TO COMBUSTIBLES



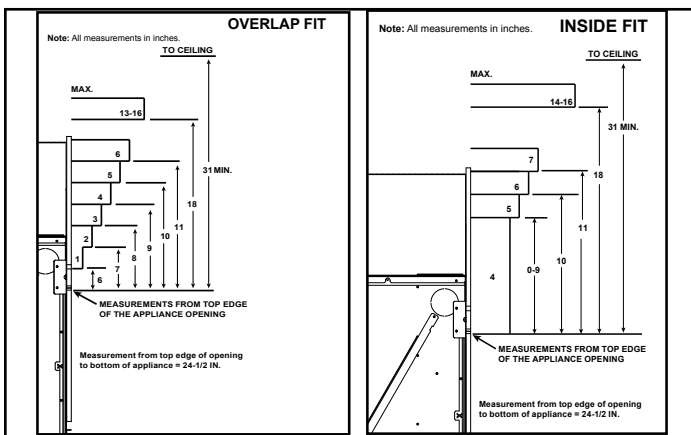
### MANTEL PROJECTIONS - COMBUSTIBLE



### MANTEL LEG/WALL PROJECTIONS COMBUSTIBLE OR NON-COMBUSTIBLE



### MANTEL PROJECTIONS - NON-COMBUSTIBLE



#### PRODUCT LISTING CODES

US	ANSI Z21.88-2017
CAN	CSA 2.33-2017
US LISTED	UL307B

Product information provided is not complete and is subject to change without notice. Product installation must adhere strictly to instructions accompanying product to avoid risk of fire and potential injury.

Additional information can be found online at [www.heatilator.com](http://www.heatilator.com)