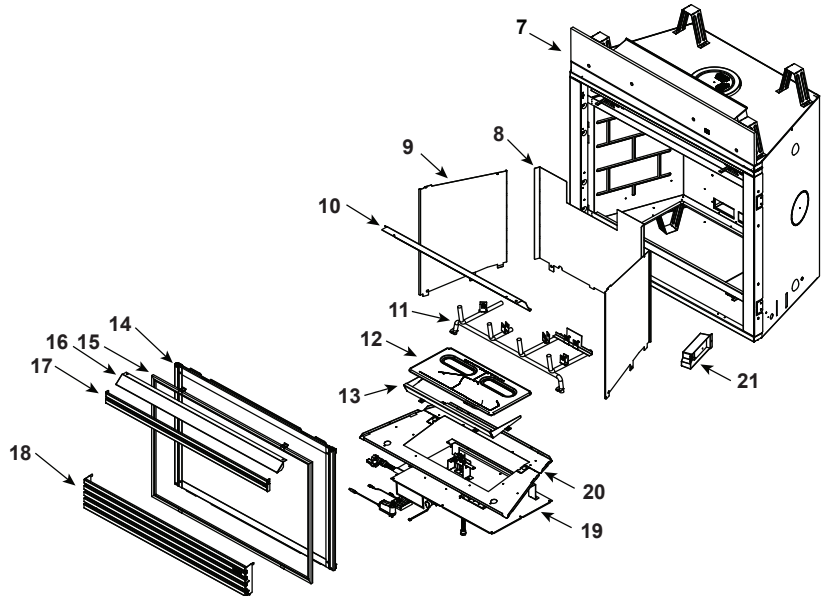
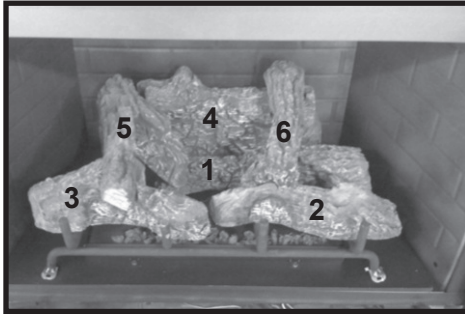


Log Set Assembly



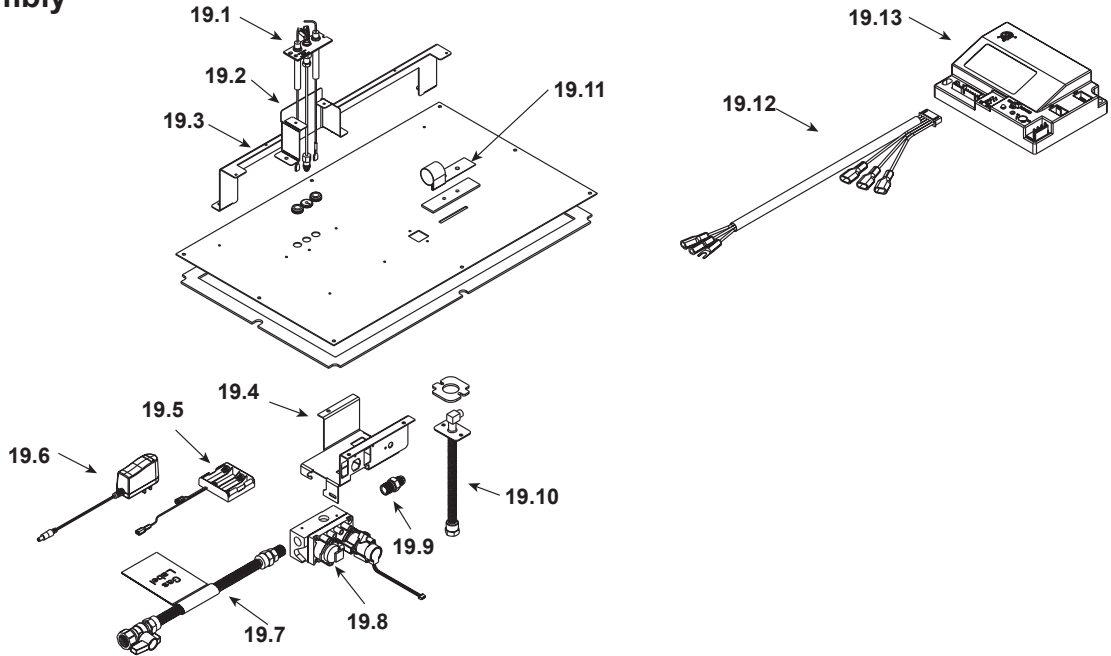
IMPORTANT: THIS IS DATED INFORMATION. Parts must be ordered from a dealer or distributor. **Hearth and Home Technologies does not sell directly to consumers.** Provide model number and serial number when requesting service parts from your dealer or distributor.



Stocked at Depot

ITEM	DESCRIPTION	COMMENTS	PART NUMBER	
	Log Assembly		LOGS-4236	Y
1	Log #1	No longer available, Must order complete assembly	SRV2208-702	
2	Log #2		SRV2208-703	
3	Log #3		SRV2208-704	
4	Log #4		SRV2208-073	
5	Log #5		SRV2208-705	
6	Log #6		SRV2208-706	
7	Insulation Board		2166-136	
8	Refractory Back		SRV2207-720	
9	Refractory Side	Left	SRV2207-721	
		Right	SRV2207-722	
10	Glass Heat Shield		2207-723	
11	Grate Assembly		2208-015	
12	Burner Assembly NG		2207-007	Y
	Burner Assembly LP		2207-008	Y
13	Burner Skirt		SRV2208-102-BK	
14	Glass Assembly		GLA-6000G	Y
15	Mesh Assembly		SRV530-382A	Y
16	Hood		SRV60-143-BK	
17	Louver Assembly, Top		2208-021	
18	Louver Assembly, Bottom		2208-020	
19	Valve Assembly	Refer to valve page		
20	Base Pan		2208-100	
21	Junction Box (Plastic)		SRV4021-013	Y

#19 Valve Assembly



IMPORTANT: THIS IS DATED INFORMATION. Parts must be ordered from a dealer or distributor. **Hearth and Home Technologies does not sell directly to consumers.** Provide model number and serial number when requesting service parts from your dealer or distributor.



Stocked at Depot

ITEM	DESCRIPTION	COMMENTS	PART NUMBER	
19.1	Pilot Assembly - NG		2208-012	Y
	Pilot Assembly - LP		2208-013	Y
	Pilot Tube		SRV485-301	Y
19.2	Pilot Bracket		2208-101	
19.3	Burner Leg		2208-106	
19.4	Valve Bracket		2118-104	
19.5	Battery Pack**		SRV2166-323	Y
19.6	Power Supply		SRV2326-131	Y
19.7	Flex Ball Valve Assembly		SRV302-320	Y
19.8	Valve - NG		2166-302	Y
	Valve - LP		2166-303	Y
19.9	Male Connector	Pkg of 5	303-315/5	Y
19.10	Bulkhead w/ Flex		SRV7000-156	Y
19.11	Shutter Bracket Assembly		2118-121	Y
19.12	Wire Harness		2166-304	Y
19.13	Module		2166-347	Y
	Orifice (#37C) - NG		582-837	Y
	Orifice (#52C) - LP		SRV582-852	Y

**Fuse for battery pack can be sourced locally, not a warranty item. Specs are 250v, 1A fuse, 3/4" long

Additional service part numbers appear on following page.

IMPORTANT: THIS IS DATED INFORMATION. Parts must be ordered from a dealer or distributor. **Hearth and Home Technologies does not sell directly to consumers.** Provide model number and serial number when requesting service parts from your dealer or distributor.



Stocked at Depot

ITEM	DESCRIPTION	COMMENTS	PART NUMBER	
	Clips, Hood	Pkg of 24	047-805-24	Y
	Clips, Mesh	Pkg of 24	SRV2005-192-24	Y
	Exhaust Cover Shield		385-105	
	Flue Restrictor	Pre 0023875593	385-128	
		Post 0023875593	385-328	
	Gasket Assembly Includes Burner Neck, Vent, Valve LED, and Air Shutter Gaskets		2166-081	
	Glass Clip Support Assembly	Pkg of 2	33858/2	Y
	Jumper Wires		SRV2187-198	Y
	Lava Rock Bag Assembly		4040-094	
	Lava Rock		4021-297	
	Mineral Wool		SRV14333	
	Vermiculite (small)		28746	
	Surround Assembly		2166-019	
	Thermostat Wire Assembly		SRV2118-170	Y
	Touch up Paint		TUP-GBK-12	
	Conversion Kit NG		DCKVN-CAL36	Y
	Conversion Kit LP		DCKVP-CAL36	Y
	Orifice, Pilot NG		SRV593-528	Y
	Orifice, Pilot LP		SRV593-527	Y
	Regulator NG		NGK-DXV-50	Y
	Regulator LP		SRVLPK-DXV-50	Y