

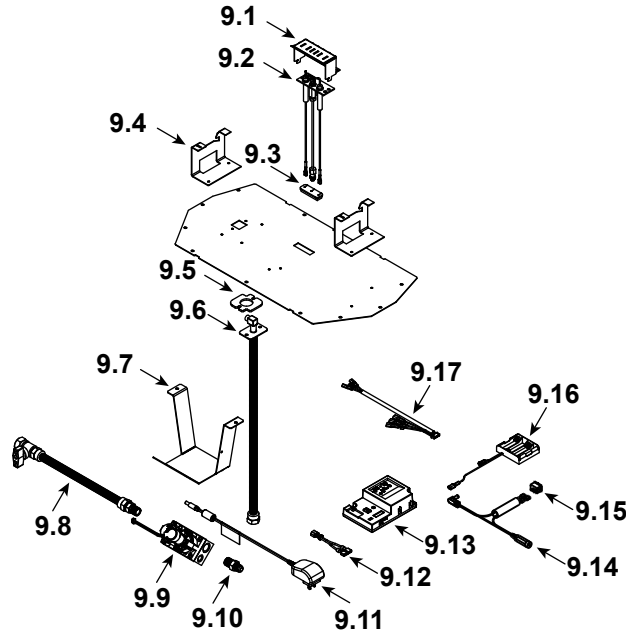
**IMPORTANT: THIS IS DATED INFORMATION.** Parts must be ordered from a dealer or distributor. **Hearth and Home Technologies does not sell directly to consumers.** Provide model number and serial number when requesting service parts from your dealer or distributor.



**Stocked at Depot**

ITEM	DESCRIPTION	COMMENTS	PART NUMBER	
1	Header Heat Shield		2118-120	
2	Non-Combustible Support		2617-104	
3	Top Fill		2617-135	
4	Non-Combustible Assembly		2617-079	
5	Base Pan		2617-113	
6	Burner Assembly		2617-007	Y
7	Glass Door Assembly		GLA-36HTL	Y
8	Lower Panel		2617-105	
9	Valve Assembly		Refer to Valve Page	
10	Junction box		SRV4021-013	Y
11	Heat Shield, Junction Box		2491-129	
12	Heat Shield, Components		2617-209	

**#9 Valve Assembly**



IMPORTANT: THIS IS DATED INFORMATION. Parts must be ordered from a dealer or distributor. **Hearth and Home Technologies does not sell directly to consumers.** Provide model number and serial number when requesting service parts from your dealer or distributor.



**Stocked at Depot**

ITEM	DESCRIPTION	COMMENTS	PART NUMBER	
9.1	Pilot Shield		2491-123	
9.2	Pilot Assembly NG		2106-169	Y
	Pilot Assembly Propane		2106-170	Y
9.3	Grommet		SRV2118-420	
9.4	Burner Support, Left and Right	1 Set	2491-169	
9.5	Gasket		2025-407	
9.6	Bulkhead W/Flex Tube		4021-428	Y
9.7	Valve Bracket		2491-153	
9.8	Flex Ball Valve Assembly, 12"		SRV302-320	Y
	Valve NG		2166-302	Y
9.9	Valve Propane		2166-303	Y
	Male Connector	Pkg of 5	303-315/5	Y
9.10	Transformer, 6 Volt Wall		SRV2326-131	Y
9.11	Jumper Wire		SRV2187-198	Y
9.12	Module, Control IFT		SRV2326-130	Y
9.13	Reset Switch Wire		2550-135	Y
9.14	Reset Switch		2206-298	Y
9.15	Battery Holder 4AA, IFT		SRV2326-134	Y
9.16	Harness, IFT 6 Pin Wiring		SRV2326-132	Y
	Orifice NG (#44C)		582-844	Y
	Orifice Propane (#55C)		582-855	Y

Additional service part numbers appear on following page.

