

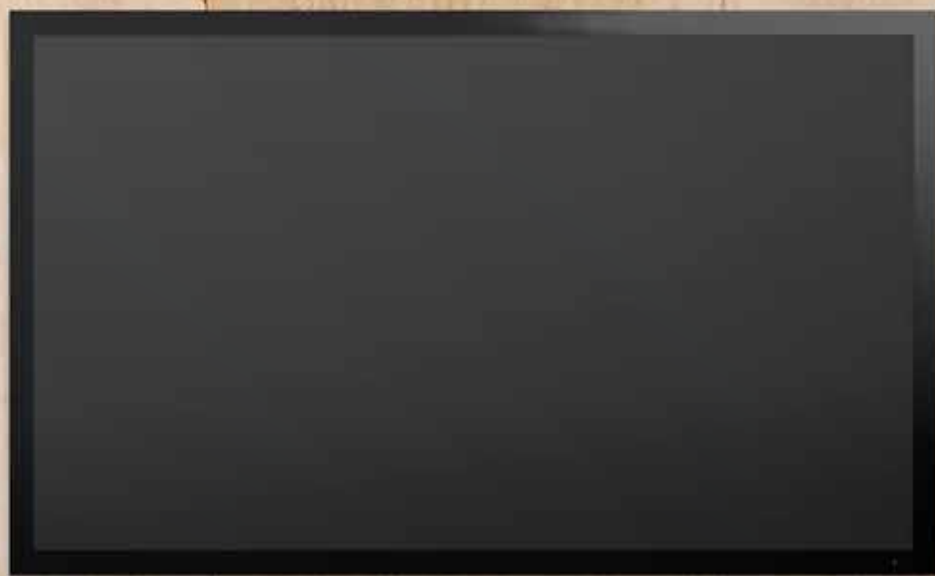
heatilator®  
*The first name in fireplaces*



# Rave Series

Direct Vent Gas Fireplace

The Rave adds a modern linear style and proven value to any home or office. Contemporary design elements are highlighted by a long, mesmerizing ribbon of flame rising through attractive modern media. Explore unique placements and create a custom look with a choice of finishing options. With unsurpassed dependability and exceptional value, the Rave gas fireplace series is another way Heatilator has been keeping America warm since 1927.



modern linear style,  
proven value



## Features

- 32", 36" or 42" wide viewing area
- Moderate heat output—up to 25,250 BTUs
- Multiple interior finishing options
- Convex or flat front options
- Enhanced safety with the IntelliFire Touch® ignition system
- Optional heat management solution kits are available that redirect heat to another area of the home, including Passive Heat and SmartWall™ TV kit that allows for a TV to be placed just 12" from the fireplace<sup>1</sup>

## Options

### Fronts



Clean face trim available in black or bronze (bronze available for 42" only)

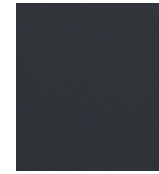


Illusion available in black only



Illusion top view

### Front Finishes

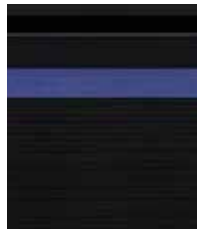


Black



Bronze

## Interiors



LED accent lighting



Fade-resistant reflective black glass interior panels



Multicolored ceramic fiber stones



Crystal glass



Black glass

## Controls

### IntelliFire Touch Touchscreen Remote Control

Features: on/off, flame height adjustment, fan speed, thermostat mode, room temperature readout, child lock, timer mode, battery backup, cold climate mode, power vent, wall docking station



### IntelliFire Touch Wireless Wall Switch

Features: on/off, battery backup cold climate mode, battery strength indicator



## Technology

### IntelliFire Touch Ignition System

IntelliFire Touch is the most advanced and intuitive IntelliFire system, making operating your fireplace simple, smart and safe. Select the wireless wall switch or touchscreen remote control for the solution that fits your life.

### Direct Vent Technology

Direct Vent fireplaces remove 100% of combustion exhaust and odors outside of the home. These sealed fireplaces provide optimal heat, conserve energy and ensure clean, safe indoor air quality. To learn more, visit [heatilator.com](http://heatilator.com).

### Heat Management Solutions

Bring the warmth from your fireplace to the rest of your home, up to 20 feet away. Heat management solutions can redirect up to 50% of the heat to another area, and reduce wall temperatures above the fireplace. Choose between:

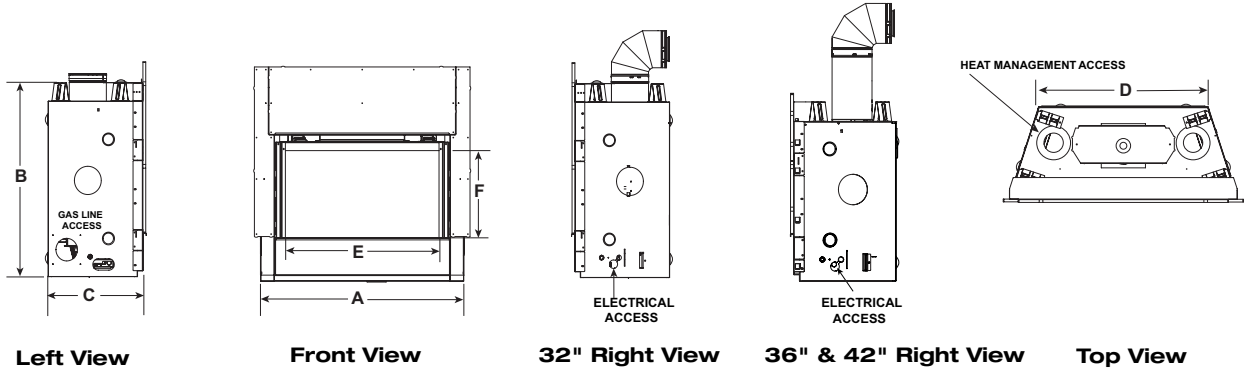
- **Passive Heat kit** to allow heat to naturally rise and disperse at ceiling height without the use of a fan
- **SmartWall kit** to allow installation of a TV 12" above the fireplace with no mantel required<sup>1</sup>
- **Heat-Zone® kit** to transfer heat where you want it
- **Heat-Out® kit** to redirect heat from the fireplace outside the home
- **Optional Fan** to move heat directly into the room for added comfort

Cover: Rave 42 using Passive Heat kit/side register, shown with bronze clean face front, fade-resistant reflective black glass interior panels, ceramic fiber stones and LED accent lighting

Left: Rave 36 using Passive Heat kit/front register, shown with clean face front in black, fade-resistant reflective black glass interior panels, black glass media, ceramic fiber stones and LED accent lighting

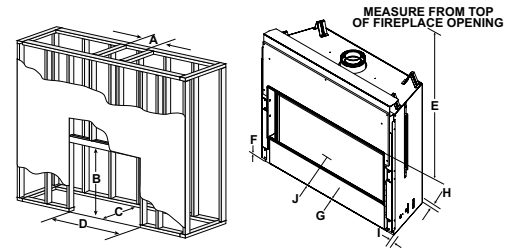
# Specifications

MODEL	FRONT WIDTH (A)		HEIGHT (B)		DEPTH (C)		BACK WIDTH (D)		GLASS SIZE (E X F)	BTU/HR INPUT
	ACTUAL	FRAMING	ACTUAL	FRAMING	ACTUAL	FRAMING	ACTUAL	FRAMING		
Rave 32"	36" (914)	37" (940)	38-1/16" (967)	36-1/2" (927)	17-3/4" (451)	17-3/4" (451)	25-3/4" (654)	37" (940)	27-1/4" x 15-1/4" (692 x 387)	19,000 (NG) 16,500 (LP)
Rave 36"	41" (10419)	42" (1067)	33-11/16" (856)	32-3/4" (832)	17-3/4" (451)	17-3/4" (451)	30-3/4" (781)	42" (1067)	32-1/4" x 15-1/4" (819 x 387)	20,500 (NG) 19,000 (LP)
Rave 42"	48" (1219)	49" (1245)	33-11/16" (856)	32-3/4" (832)	17-3/4" (451)	17-3/4" (451)	37-3/4" (959)	49" (1016)	39" x 15-1/4" (991 x 387)	25,250 (NG) 23,500 (LP)



## Framing Dimensions

MODEL	A	B	C	D	E	F	G	H	I	J
Rave 32"	8-5/8" (219)	36-1/2" (927)	17-3/4" (451)	37" (940)	31" (787)	0" (0)	0" (0)	1/2" (13)	1/2" (13)	36" (914)
Rave 36"	8-5/8" (219)	32-3/4" (832)	17-3/4" (451)	42" (1067)	31" (787)	0" (0)	0" (0)	1/2" (13)	1/2" (13)	36" (914)
Rave 42"	8-5/8" (219)	32-3/4" (832)	17-3/4" (451)	49" (1245)	31" (787)	0" (0)	0" (0)	1/2" (13)	1/2" (13)	36" (914)



Dimensions are in inches and millimeters. Product information is not complete and is subject to change without notice. Product installation must adhere strictly to instructions shipped with product. We recommend measuring individual units at installation. NOTE: Combustible material should not cover the face. Refer to installation manual for detailed specifications on installing this product. Hearth & Home Technologies® reserves the right to update units periodically. Actual product appearance, including flame, may differ from product images.

## Efficiency Ratings

**EnerGuide (CSA P.4.1-15)** - Used in Canada and some U.S. states to measure annual fireplace efficiency.

RAVE32-IFT-B	RAVE36-IFT-B	RAVE42-IFT-B
51.1% (NG)	63.0% (NG)	63.8% (NG)

# Exceptional Value + Dependability

Why do contractors, architects and homebuyers trust Heatilator? Because we mix value with dependability. Established in 1927, Heatilator has built a long standing reputation for providing quality, dependable hearth products at unbeatable values. Today, Heatilator remains the most preferred, recommended and installed fireplace brand among building professionals.

### Available from

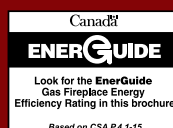
**heatilator**  
The first name in fireplaces

800-927-6841 | heatilator.com

facebook.com/Heatilator

twitter.com/Heatilator

youtube.com/HeatilatorFireplaces



### Limited Lifetime Warranty<sup>2</sup>

The strongest in the industry, Heatilator provides a limited lifetime warranty on gas-burning products of the most important aspects: firebox and heat exchanger.

The information provided in this literature is for planning purposes only and subject to change. Please consult the installation manual for actual installation. Actual product appearance may differ from product images.

- 1 The SmartWall fan will and must run continuously to move the heat away from the area above the fireplace. Also minimum guidelines must be followed:
- Minimum of 3" gap between the TV and wall at all angles
  - Minimum of 24" to side wall
  - Ambient room temperature 75° F or less
  - See TV manufacturer's recommendation for TV operating temperatures
  - Minimum 60" from the top of the fireplace opening to the ceiling

2 For full warranty details go to heatilator.com.

HTL-1064U-1219