

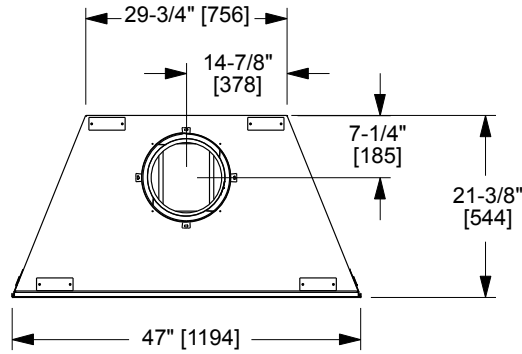


Please consult the manufacturer's installation manual for all details and requirements before making a final design layout decision.

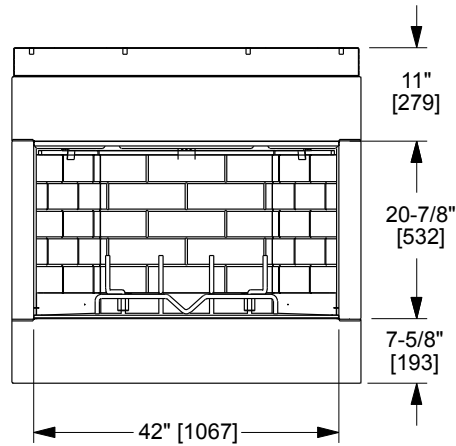
Villawood 42

Outdoor Wood Fireplace

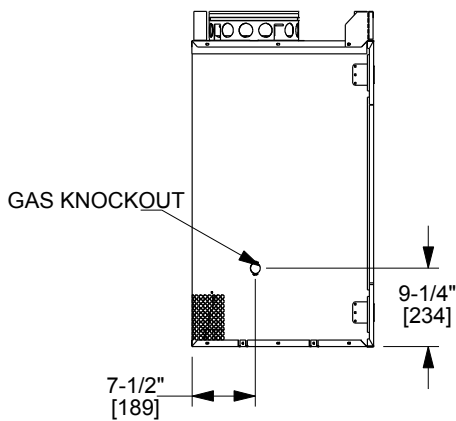
MODEL	FRONT WIDTH		BACK WIDTH		HEIGHT		DEPTH		VIEWING AREA
	Actual	Framing	Actual	Framing	Actual	Framing	Actual	Framing	
ODVILLA-42	47	48	29-3/4	48	39-1/2	39-3/4	21-3/8	21-1/2	42 x 20-7/8



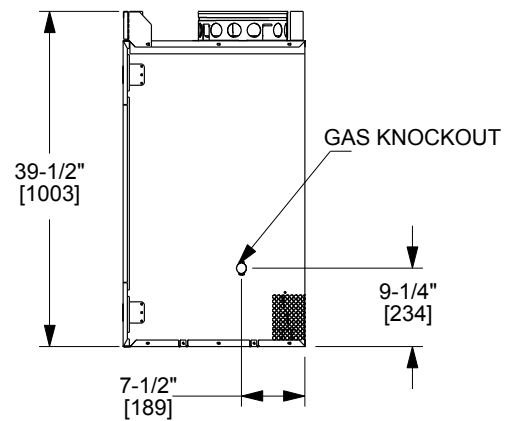
Top View



Front View

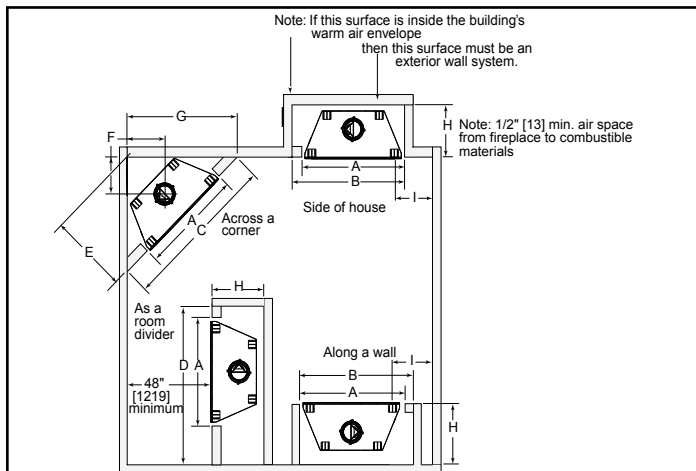


Left View



Right View

APPLIANCE LOCATION

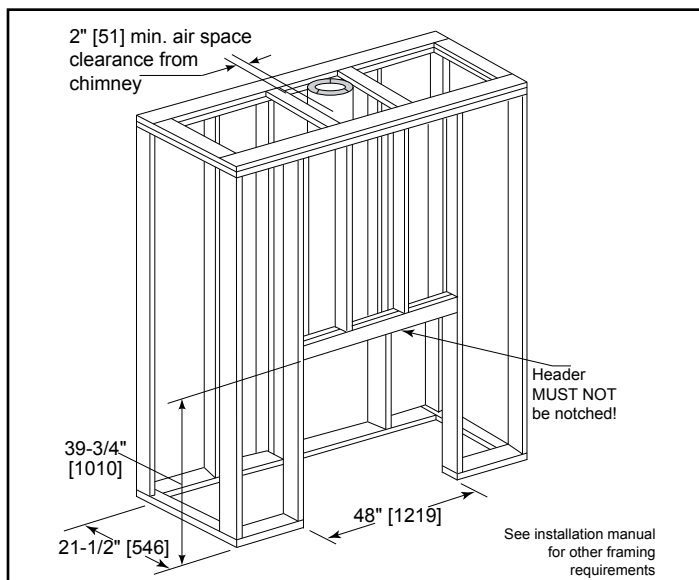


Note: Measurements are FRAMING dimensions only and do not include drywall either in the cavity or on the walls

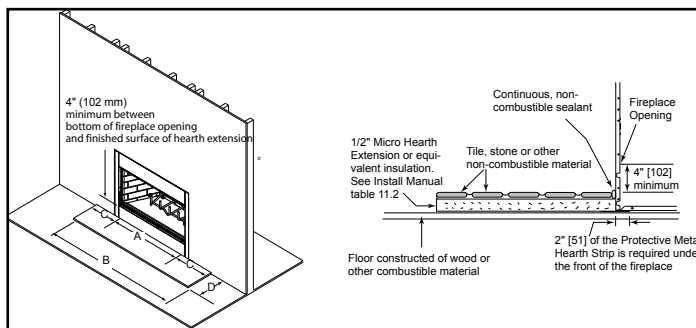
	A	B	C	D	E	F	G	H	I
in.	48	56	73-7/8	65-1/2	37-1/4	17	52-1/4	21-1/2	*See
mm	1219	1422	1876	1664	946	429	1327	546	Note

* I = 12" [305] minimum from fireplace opening to any perpendicular wall

FRAMING DIMENSIONS



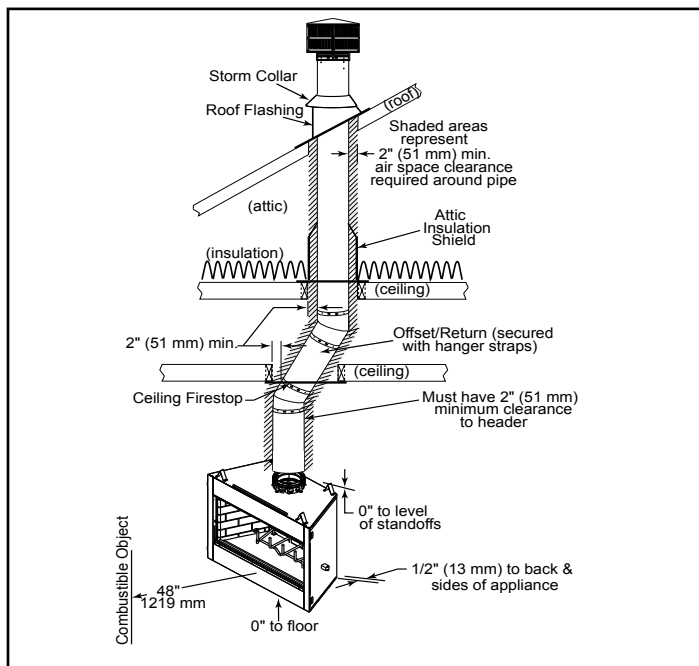
HEARTH EXTENSION



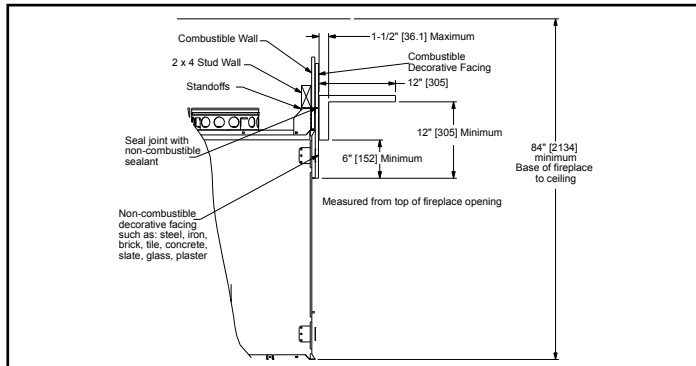
	A	B	C	D
in.	42	66	12	20
mm	1067	1676	305	508

IMPORTANT! Hearth extension design must be determined before installation of fireplace

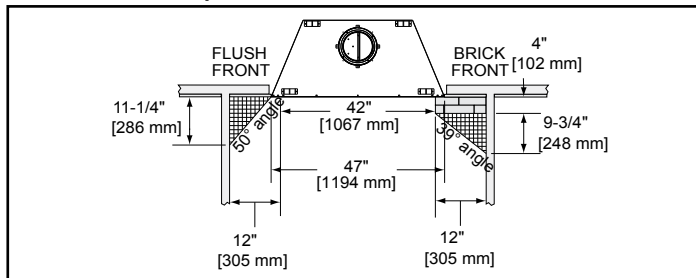
CLEARANCES TO COMBUSTIBLES



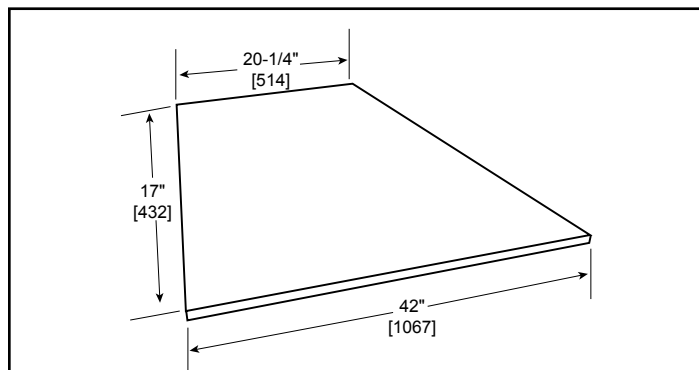
MANTEL PROJECTIONS



MANTEL LEG/WALL PROJECTIONS



HEARTH DIMENSIONS



PRODUCT LISTING CODES	
	UL127

Product information provided is not complete and is subject to change without notice. Product installation must adhere strictly to instructions accompanying product to avoid risk of fire and potential injury.