



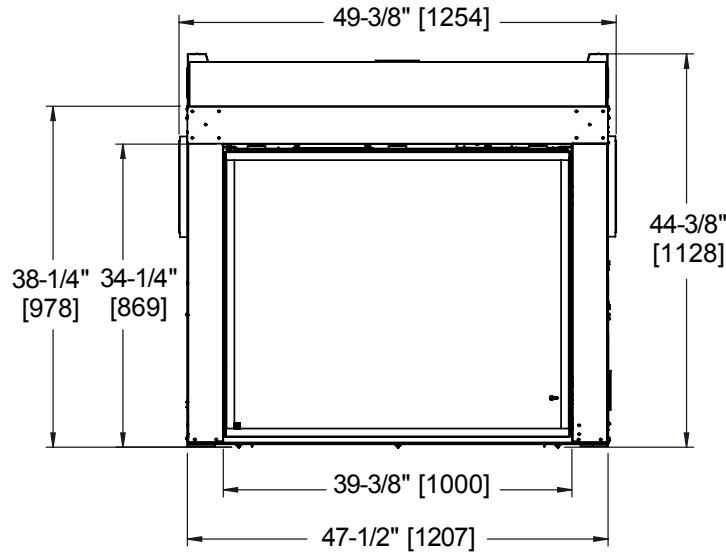
Please consult the manufacturer's installation manual for all details and requirements before making a final design layout decision.

Fortress

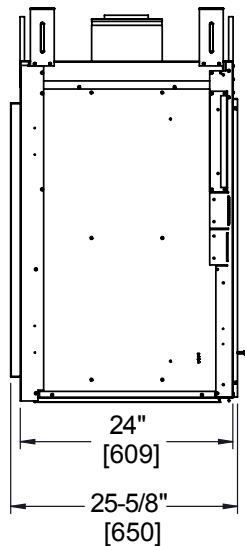
Indoor/Outdoor Gas Fireplace

MODEL	FRONT WIDTH		BACK WIDTH		HEIGHT		DEPTH		VIEWING AREA	BTU/HR INPUT
	Actual	Framing	Actual	Framing	Actual	Framing	Actual	Framing		
FORTRESS	49-3/8" [1254]	49-1/2" [1257]	49-3/8" [1254]	49-1/2" [1257]	44-3/8" [1154]	44-1/2" [1130]	25-5/8" [650]	23" [584]	36" X 30"	56,000

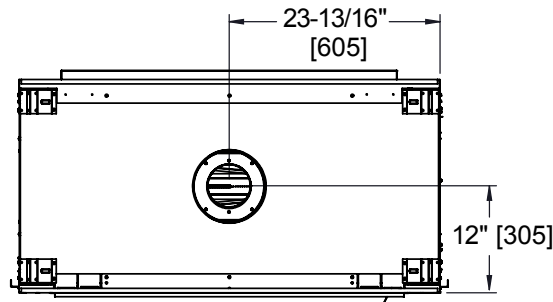
Front View



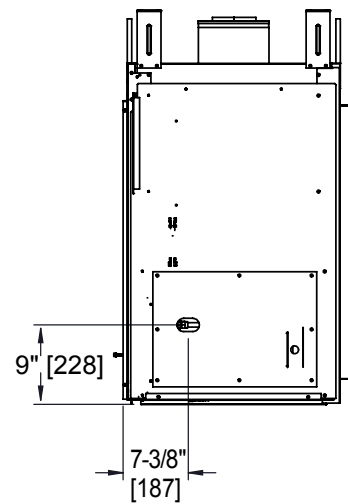
Left Side View



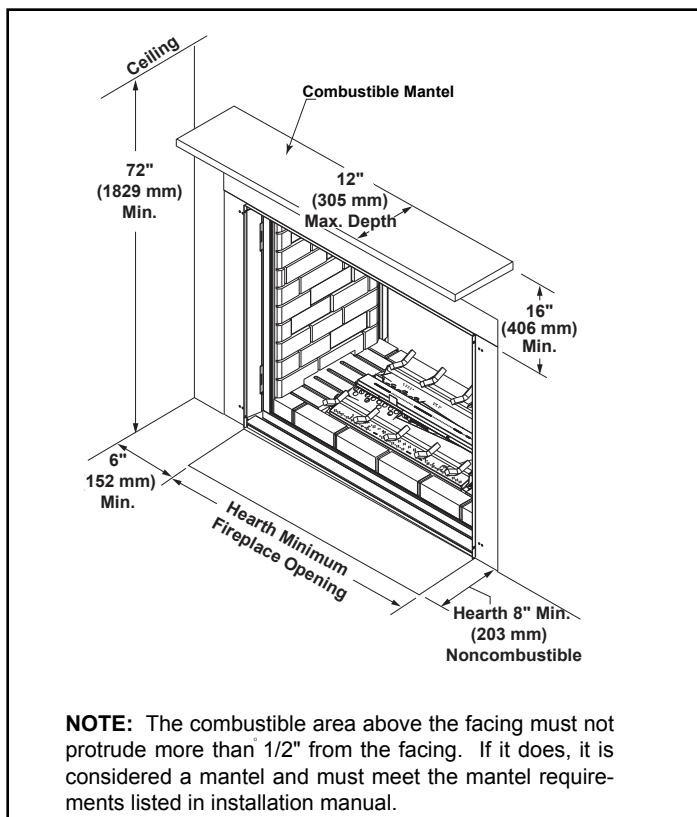
Top View



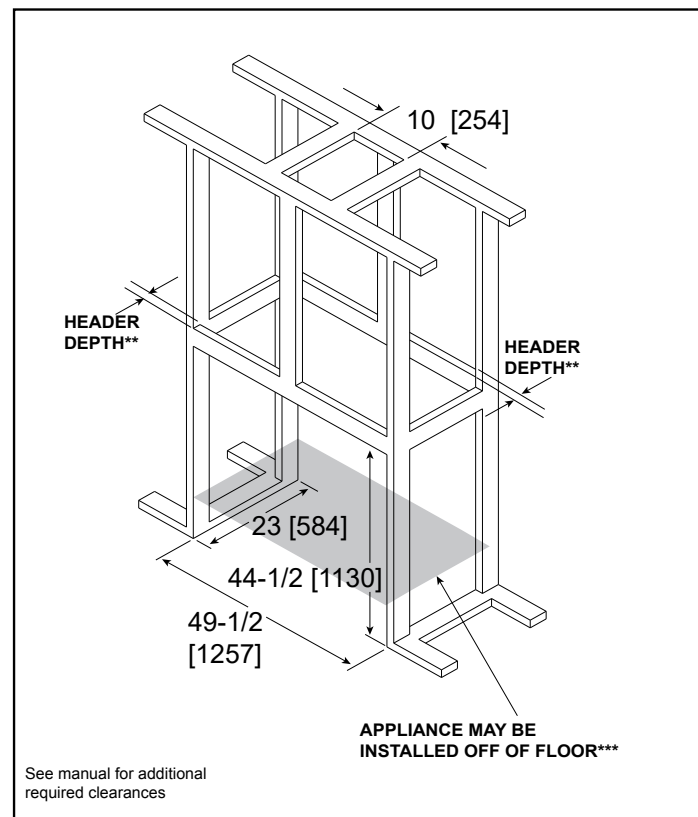
Right Side View



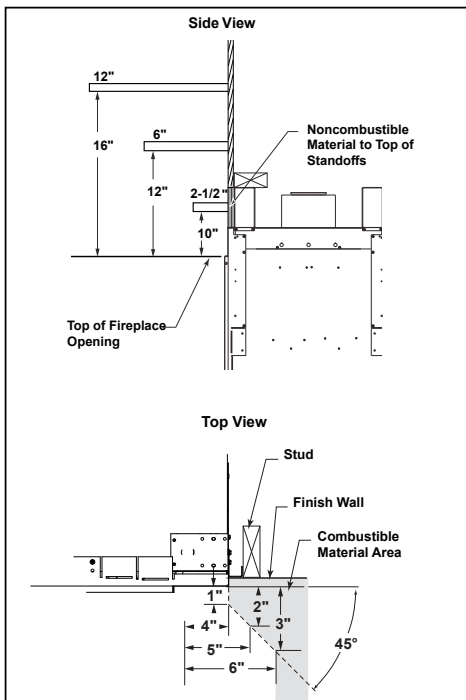
CEILING AND SIDEWALL CLEARANCES



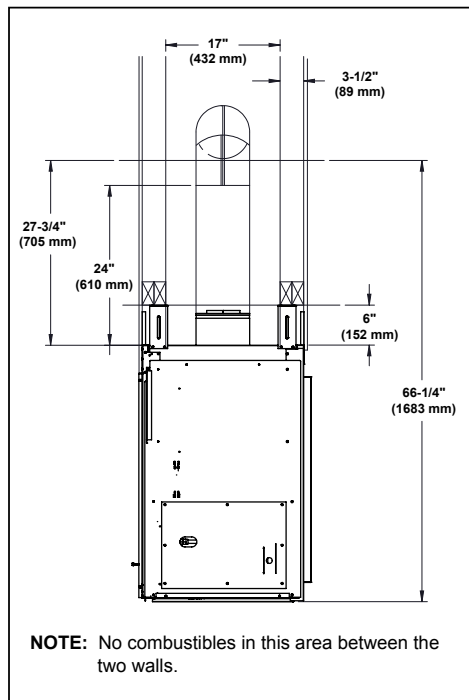
FRAMING DIMENSIONS



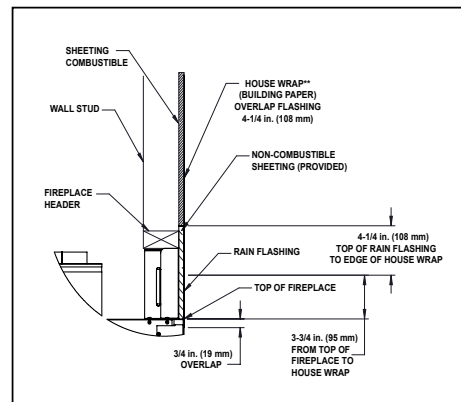
MANTEL CLEARANCES



HEARTH EXTENSION



HOUSE WRAP INSTALLATION



PRODUCT LISTING CODES	
US	ANSI-Z21.88-2014
CAN	CSA 2.33-2014

Product information provided is not complete and is subject to change without notice. Product installation must adhere strictly to instructions accompanying product to avoid risk of fire and potential injury.

Additional information can be found online at www.fireplaces.com