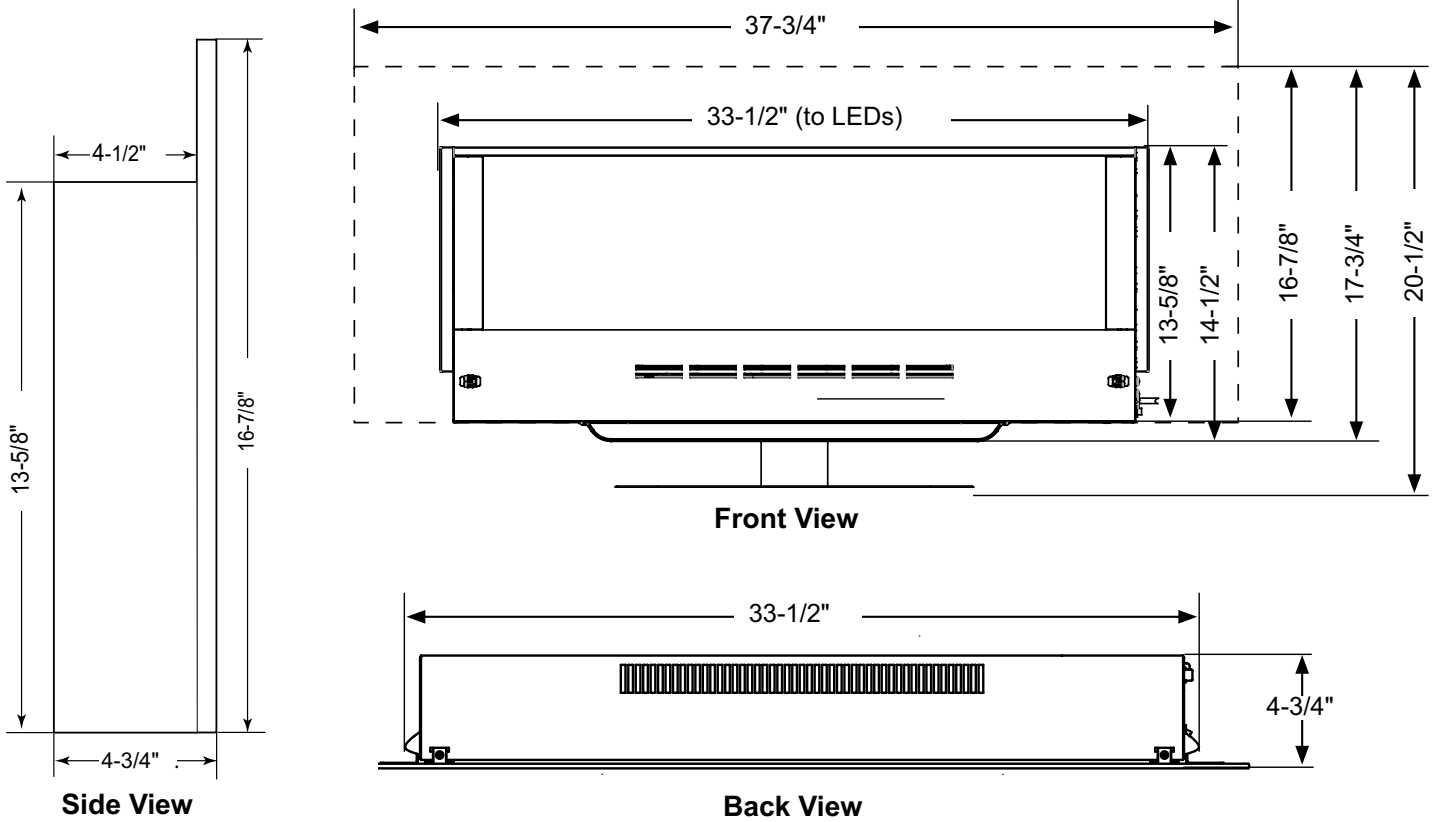




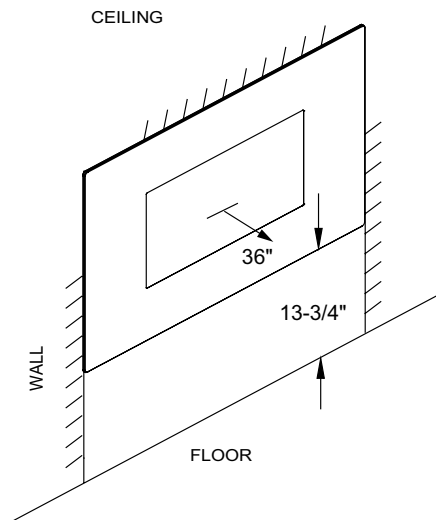
Please consult the manufacturer's installation manual for all details and requirements before making a final design layout decision.

# 38" Wall Mount Electric Fireplace

MODEL	FRONT WIDTH	BACK WIDTH	HEIGHT	DEPTH	GLASS SIZE
SF-WMS38-BK	37-3/4	34-3/4	17-3/4	4-3/4	37-3/4 x 16-7/8



## Clearance to Combustibles



PRODUCT LISTING CODES	
US	CSA 22.2 No 46-M1988
INTERNATIONAL	CSA 22.2 No 46-M1988

Product information provided is not complete and is subject to change without notice. Product installation must adhere strictly to instructions accompanying product to avoid risk of fire and potential injury.

Additional information can be found online at [www.fireplaces.com](http://www.fireplaces.com)



Lakeville, MN Web: [fireplaces.com](http://fireplaces.com)  
 Phone: 888-427-3973 952-985-6000

