

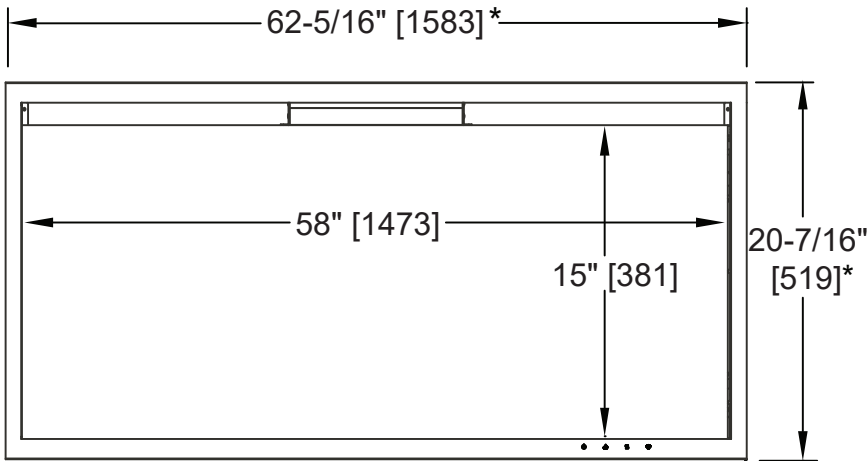


Please consult the manufacturer's installation manual for all details and requirements before making a final design layout decision.

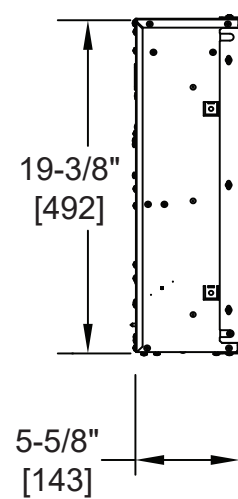
# Allusion Platinum 60" Recessed Linear Electric Fireplace

| MODEL        | FRONT WIDTH     |            | BACK WIDTH     |            | FRONT HEIGHT   |               | BACK HEIGHT   |               | DEPTH        |         | VIEWING AREA           |
|--------------|-----------------|------------|----------------|------------|----------------|---------------|---------------|---------------|--------------|---------|------------------------|
|              | Actual          | Framing    | Actual         | Framing    | Actual         | Framing       | Actual        | Framing       | Actual       | Framing |                        |
| SF-ALLP60-BK | 62-5/16" [1583] | 61" [1549] | 60-1/2" [1537] | 61" [1549] | 20-7/16" [519] | 19-1/2" [495] | 19-3/8" [492] | 19-1/2" [495] | 5-5/8" [143] | 2x6     | 58" x 15" [1473 x 381] |

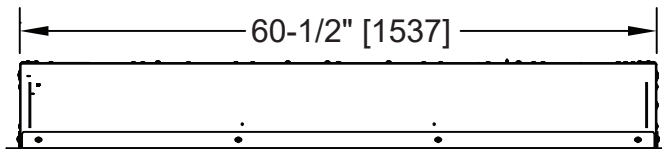
**FRONT VIEW**



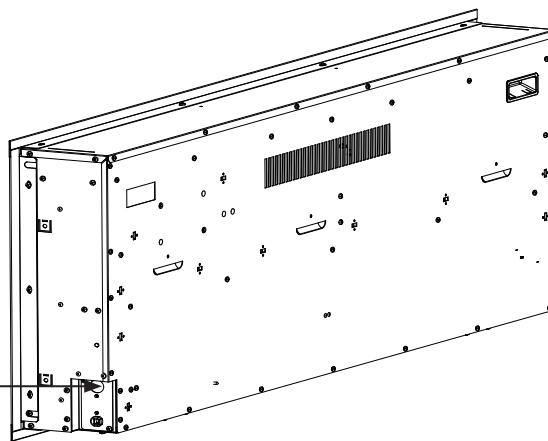
**SIDE VIEW**



**TOP VIEW**



**ELECTRICAL ACCESS**



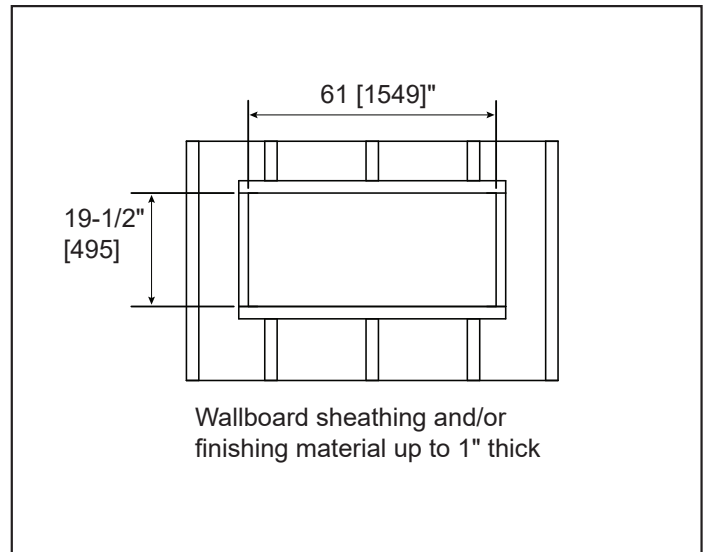
**ELECTRICAL CONNECTION REQUIREMENTS**

| CIRCUIT            | CONNECTION METHOD   | BTUS  |
|--------------------|---------------------|-------|
| 15 AMP, 120V/60 Hz | Hardwire or plug-in | 5,000 |

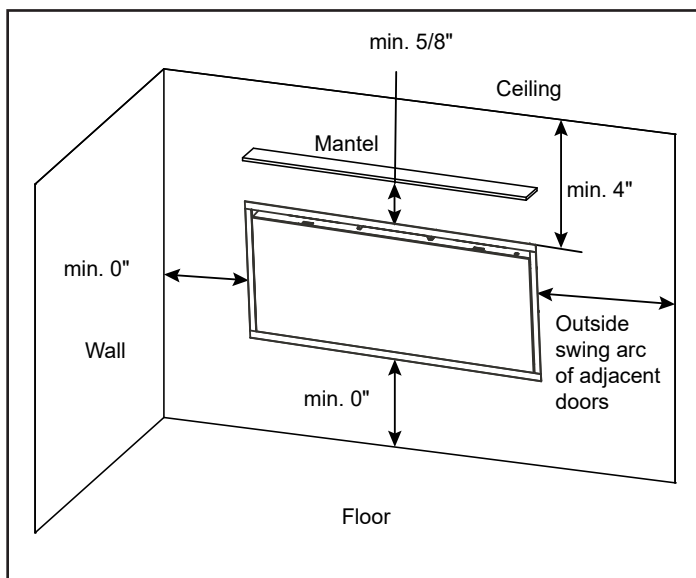
**MINIMUM CLEARANCES TO COMBUSTIBLES**

| AREA          | CLEARANCES |
|---------------|------------|
| SIDES         | 0"         |
| FLOOR         | 0"         |
| TOP TO MANTEL | 5/8" [16]  |
| BACK          | 0"         |
| FRONT         | 36" [914]  |

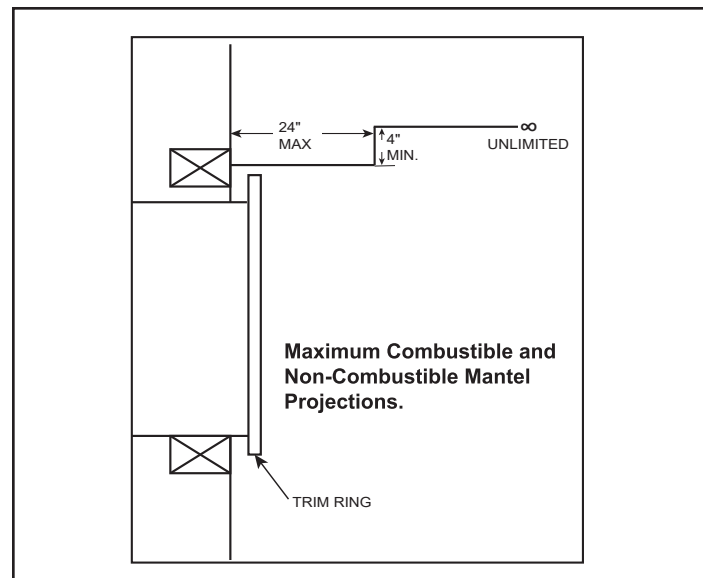
**FINISHING DIMENSIONS**



**APPLIANCE LOCATION**



**MANTEL PROJECTIONS**



| PRODUCT LISTING CODES |                      |
|-----------------------|----------------------|
| US                    | CSA 22.2 No 46-M1988 |
| INTERNATIONAL         | CSA 22.2 No 46-M1988 |

Product information provided is not complete and is subject to change without notice. Product installation must adhere strictly to instructions accompanying product to avoid risk of fire and potential injury.