



Please consult the manufacturer's installation manual for all details and requirements before making a final design layout decision.

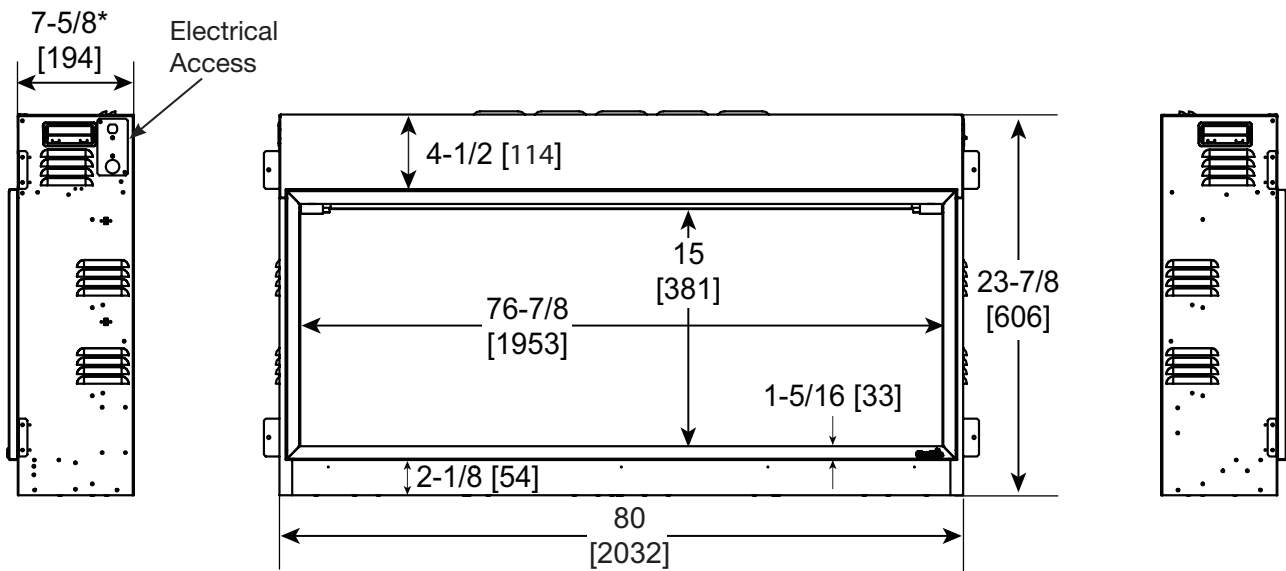
# Scion 78" Clean Face Linear Electric Fireplace

| MODEL      | WIDTH         |                   | HEIGHT           |                  | DEPTH           |                 | VIEWING AREA                  | BTUS  |
|------------|---------------|-------------------|------------------|------------------|-----------------|-----------------|-------------------------------|-------|
|            | Actual        | Framing           | Actual           | Framing          | Actual          | Framing         |                               |       |
| SF-SC78-BK | 80"<br>[2032] | 80-1/2"<br>[2045] | 23-7/8"<br>[606] | 24-1/4"<br>[616] | 7-5/8"<br>[194] | 7-5/8"<br>[194] | 76-7/8" x 15"<br>[1953 x 381] | 5,000 |

LEFT SIDE

FRONT

RIGHT SIDE



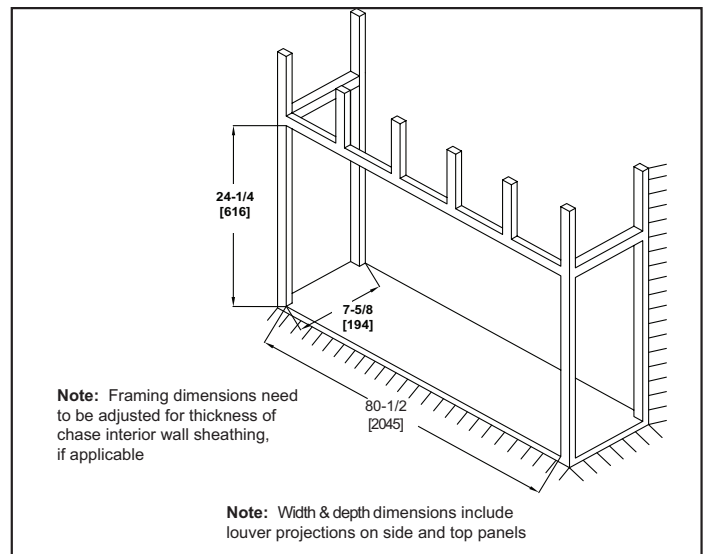
### ELECTRICAL CONNECTION REQUIREMENTS

| CIRCUIT            | CONNECTION METHOD | BTUS  |
|--------------------|-------------------|-------|
| 15 AMP, 120V/60 Hz | Hardwire only     | 5,000 |

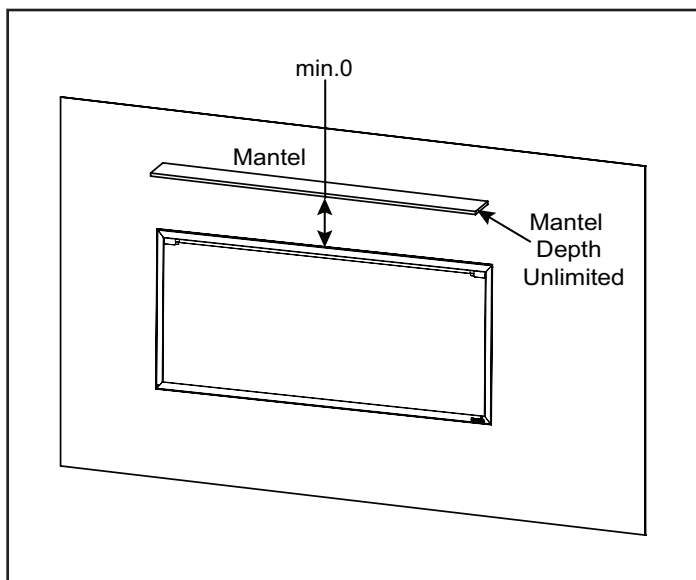
**MINIMUM CLEARANCES TO COMBUSTIBLES**

| AREA  | CLEARANCES |
|-------|------------|
| SIDES | 0"         |
| FLOOR | 0"         |
| TOP   | 0"         |
| BACK  | 0"         |
| FRONT | 36" [914]  |

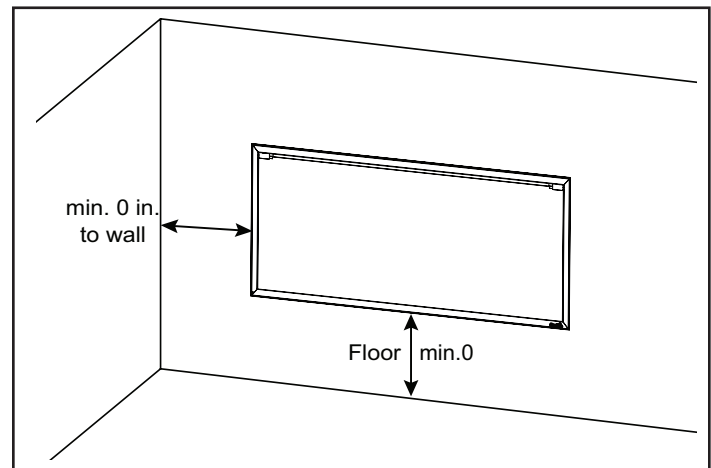
**FINISHING DIMENSIONS**



**MANTEL PROJECTIONS**



**APPLIANCE LOCATION**



| PRODUCT LISTING CODES |                      |
|-----------------------|----------------------|
| US                    | CSA 22.2 No 46-M1988 |
| INTERNATIONAL         | CSA 22.2 No 46-M1988 |

Product information provided is not complete and is subject to change without notice. Product installation must adhere strictly to instructions accompanying product to avoid risk of fire and potential injury.